

LED UFO Highbay Light Specification



Product Description

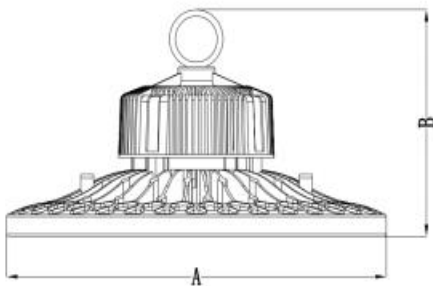
- * High light efficacy, save more energy
- * 50,000 hours lifespan
- * High bright Philips light source
- * High pressure die casting housing , anti-static powder painting
- * ETL/cETL , DLC approved
- * IP65 waterproof

Applications :

Workshop, Warehouse, Supermarket, Stadium, et

SPECIFICATION

Model No.	Watts (W)	Color Accuracy (CRI)	Efficacy (LPW)	Input Voltage	IP	CCT (K)	Beam Angle	ETL	DLC
DJ-UHB100WN-5000K	100W	>80	>130LPW	100-277V	IP65	5000K	120°	Y	Y
DJ-UHB150WN-5000K	150W					5000K		Y	Y
DJ-UHB200WN-5000K	200W					5000K		Y	Y
DJ-UHB240WN-5000K	240W					5000K		Y	Y



Wattage	A (inch)	B (inch)
100W	13.78	8.27
150W	13.78	8.27
200W	16.54	8.66
240W	16.54	8.66

INSTALLATION

- READ CAREFULLY BEFORE INSTALLING FIXTURE. RETAIN THESE INSTRUCTIONS FOR FUTURE REFERENCE.
- Fixtures must be wired in accordance with the National Electrical Code and all applicable local codes.
- Proper grounding is required for safety.
- THIS PRODUCT MUST BE INSTALLED IN ACCORDANCE WITH THE APPLICABLE INSTALLATION CODE BY A PERSON FAMILIAR WITH THE CONSTRUCTION AND OPERATION OF THE PRODUCT AND THE HAZARDS INVOLVED.
- Make certain power is OFF before installing or maintaining fixture. No user serviceable parts inside.
- For proper weatherproof function all gaskets must be seated properly and all screws inserted and tightened firmly.

(I) U Bracket MOUNTING:

CAUTION: Suitable for DAMP LOCATION OR INDOOR APPLICATIONS with Mounting bracket. Follow Mounting directions as in Fig. 1

1. Fix the U-bracket to the canopy structure (U bracket is adjustable upon request for fixture angle)
2. Connect driver with external input wire
3. Fixed safety chain with fixture body and canopy structure..

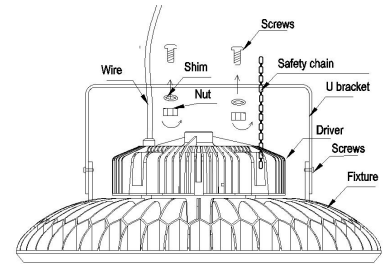


FIG.1

(II) Ceiling with Hook:

CAUTION: Suitable for DAMP LOCATION OR INDOOR APPLICATIONS with hook & cord. Follow Mounting directions as in Fig. 2

1. Open the Driver Box and thread output cable through the Hook.
2. Screw Hook into the Driver Box.
3. Hanging Hook to a sturdy ceiling structure.
4. Connect driver output wire with wires inside of a junction box
5. Use safety Chain for supplemental support while installing the fixture.

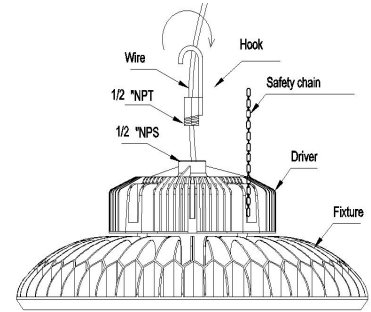


FIG.2

(III) PEDANT MOUNTING:

CAUTION: Suitable for WET LOCATION with pendant stem. Follow Mounting directions as in Fig. 3

1. Choose pendant length and thread wire through pendant stems.
2. For wet Locations application, wrap threads on pendant stems with teflon tape and silicone gel. Screw the pendant stem to the Driver Box and and tighten it.
3. Wire the fixture to a junction box.
4. Use safety Chain for supplemental support of the fixture.

(This kind of installation method needs to match the special drive box, the driver box installation hole is "1/2"NPS)

(Pendant Stem not supplied, 3/4"NPS Pendant need to be paired with accessories to use. The 3/4"X1/2" adapter as a choice of accessories)

(Pendant Stem not supplied, 3/4"NPS Pendant need to be paired with accessories to use. The 3/4"X1/2" adapter as a choice of accessories)

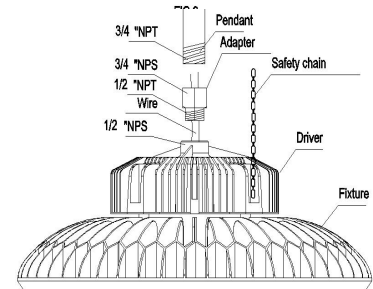
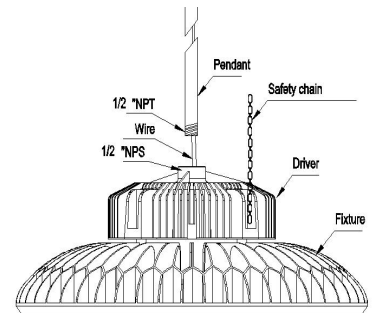


FIG.4

Wiring

1. Connect the black fixture lead to the (+) LINE supply lead.
2. Connect the white fixture lead to the (-) COMMON supply lead.
3. Connect the GROUND wire from fixture to supply ground.

0-10V

1. Connect the black fixture lead to the (+) LINE supply lead.
2. Connect the white fixture lead to the (-) COMMON supply lead.
3. Connect the GROUND wire from fixture to supply ground. Do NOT connect the GROUND of the dimming fixture to the output.
4. Connect the purple fixture lead to the (V+) DIM lead.
5. Connect the gray fixture lead to the (V-) DIM lead.
6. Cap the yellow fixture lead, if present. Do NOT connect.

